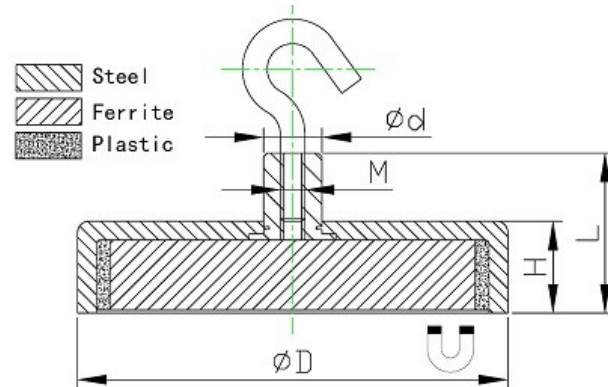


Ferrite flat pot magnet with hook



Item No.	D	H	L	d	M	Force			weight	Fixing
	mm	mm	mm	mm		Kg	N	Lbs	g	
TFE16K	16	4.5	11.5	6	M3	1.8	18	4	7	Hook
TFE20K	20	6	13	8	M4	3	30	6.7	14	Hook
TFE25K	25	7	15	8	M4	4	40	9	21	Hook
TFE32K	32	7	15	8	M4	8	80	18	33	Hook
TFE36K	36	7.7	16	8	M4	10	100	22	44	Hook
TFE40K	40	8	16.5	8	M4	12	125	28	56	Hook
TFE47K	47	9	17	8	M4	18	180	40	85	Hook
TFE50K	50	10	18.5	8	M4	22	220	49	107	Hook
TFE57K	57	10.5	18.5	8	M4	28	280	63	149	Hook
TFE63K	63	14	30	8	M4	35	350	78	214	Hook
TFE80K	80	18	28.5	12	M6	61	600	135	485	Hook eye

