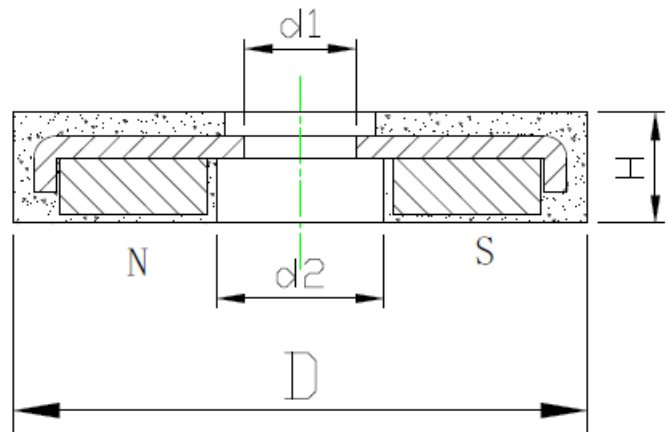
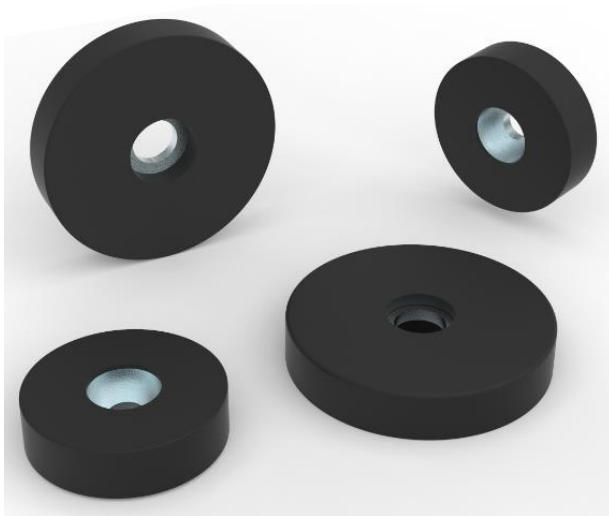


## NdFeB rubber coated magnet with cylinder bore



Item No.	D	H	d1	d2	Force			Weight
	mm	mm	mm	mm	Kg	N	Lbs	g
RCND22B	22	6	4	8.2	3.8	38	8.54	8
RCND31B	31	6	6	9	9	89	20	20

