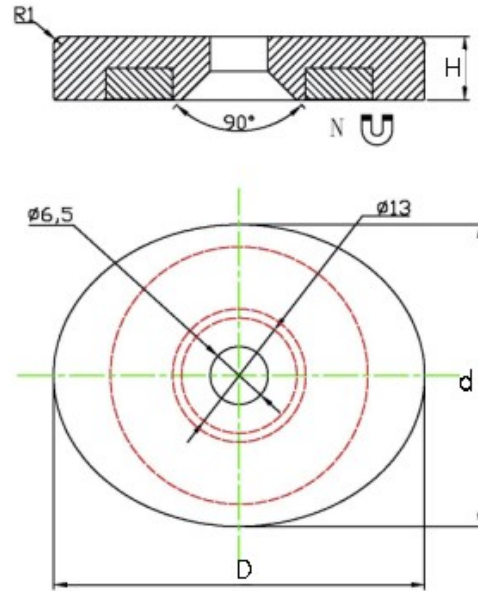


Oval shape NdFeB pot magnet



Item No.	D	d	H	Force		
	mm	mm	mm	Kg	N	Lbs
8NGXXC4102	42	34	7.2	34	333	74

