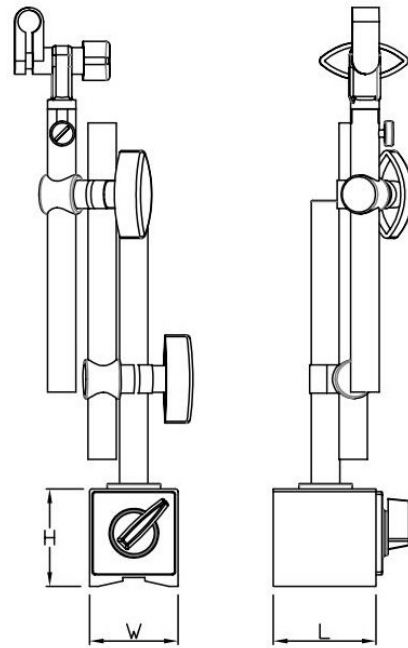
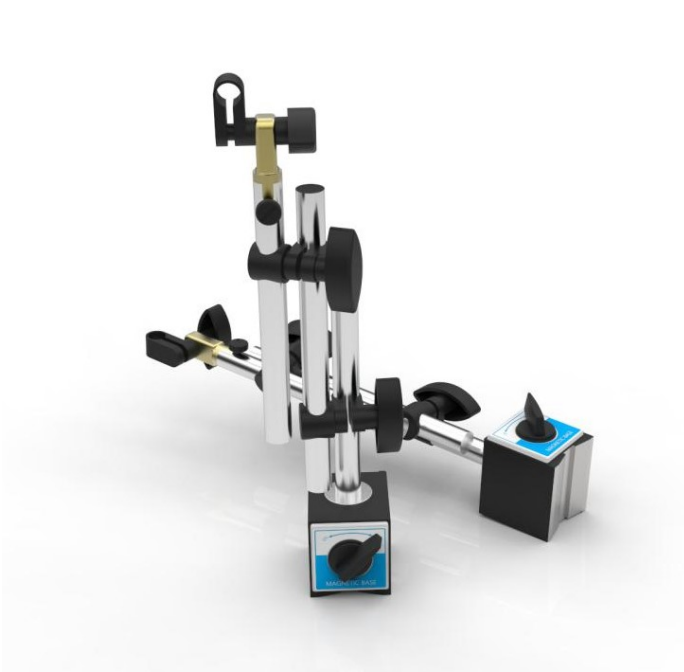


61615 ST-B Series magnetic stand



Item No.	Model	Main stem	Assistant stem	Branch stem	Weight
		mm	mm	mm	Kg
61615-01	ST-B6D	D16x200	/	D16x190	1.8
61615-02	ST-B16D	D16x200	D16x250	D16x190	2.1



ST-B6D

ST-B16D