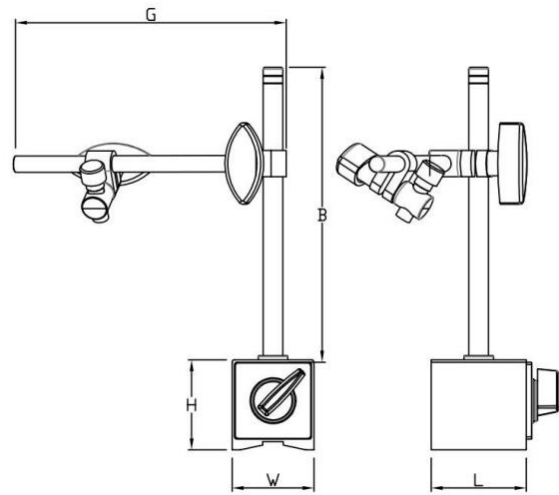


60201 Magnetic indication stand



Item No.	Model	Base(mm) LxWxH	Force			Weight
			Lbs	Kgs	N	Kg
60201-11	CZ-6C	58x50x55	132	60	588	1.4
60201-21	CZ-8C	60x50x55	176	80	784	1.4

