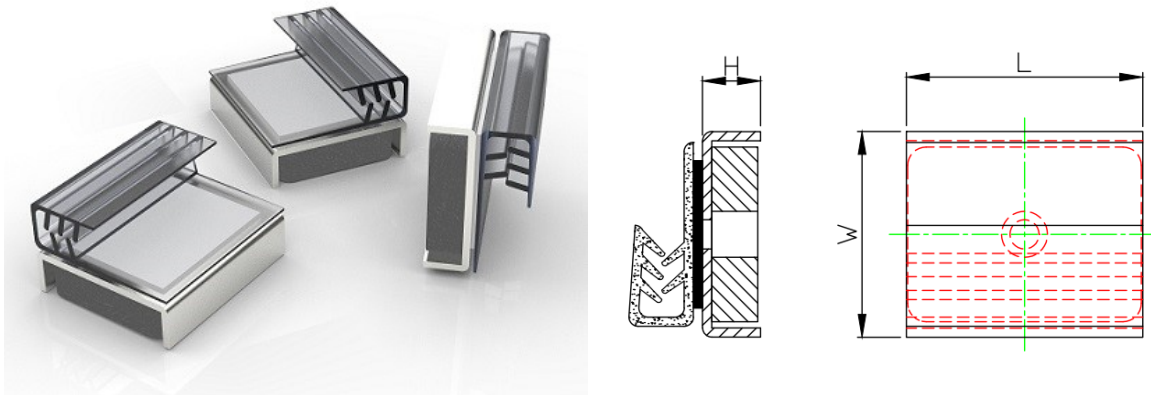


Ferrite channel magnet with PVC gripper



Item No.	L	W	H	Force		
	mm	mm	mm	Kg	N	Lbs
CHFL1-PC	25.4	22.23	6.35	4	39	9
CHFL3-PC	76.2	22.86	6.38	10	98	22

