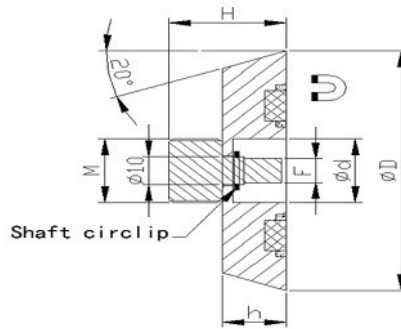
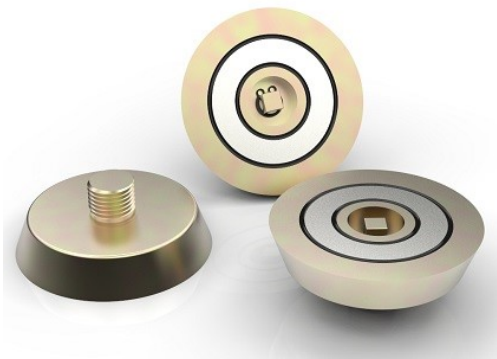


NdFeB Magnetic fixing plate for socket system



Item No	D	H	h	d	F	M	Force			Weight
	mm	mm	mm	mm			Lbs	Kg	N	g
MFP12	60	22	12	18	8X8	M12	110	50	490	234.1
MFP14	60	22	12	18	8X8	M14	110	50	490	235.5
MFP16	60	22	12	18	8X8	M16	110	50	490	237.9
MFP20	60	22	12	18	8X8	M20	110	50	490	247.1
MFP24	74	22	12	18	8X8	M24	220	100	980	381.2
MFP30	90	24	12	18	8X8	M30	264	120	1176	580.5
MFP36	90	24	12	18	8X8	M36	264	120	1176	610.2

