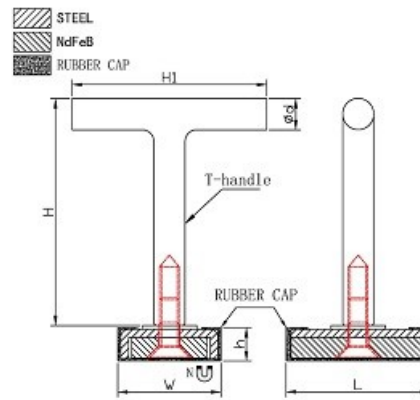
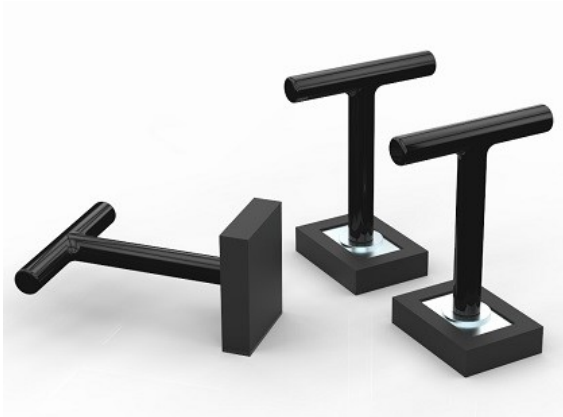


## NdFeB rectangular magnet with T-handle and rubber cap



Item No.	Magnetic base(mm)			T-handle(mm)			Force			Weight
	L	W	h	d	H	H1	Kg	N	Lbs	g
8NGRUF5105	37	26.5	8.5	8	58	50	18	176	39	86

