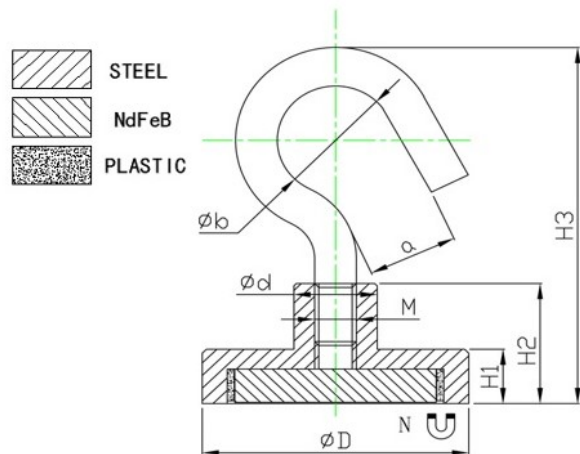


# NdFeB flat pot magnet with hook



| Item No. | D  | d  | H1  | H2   | H3 | a   | b   | M  | Force |      |     | Weight |
|----------|----|----|-----|------|----|-----|-----|----|-------|------|-----|--------|
|          | mm | mm | mm  | mm   | mm | mm  | mm  |    | Kg    | N    | Lbs | g      |
| M-TNE10K | 10 | 5  | 4.5 | 11.5 | 26 | 3.5 | 4   | M3 | 3     | 29   | 6   | 5      |
| M-TNE13K | 13 | 5  | 4.5 | 11.5 | 26 | 3.5 | 4   | M3 | 5     | 49   | 11  | 7      |
| M-TNE16K | 16 | 6  | 4.5 | 11.5 | 27 | 4.5 | 5.5 | M4 | 8     | 78   | 17  | 11     |
| M-TNE20K | 20 | 8  | 6   | 13   | 29 | 4.5 | 5.5 | M4 | 12    | 122  | 27  | 20     |
| M-TNE25K | 25 | 8  | 7   | 14   | 30 | 4.5 | 5.5 | M4 | 18    | 176  | 39  | 30     |
| M-TNE32K | 32 | 10 | 7   | 15.5 | 45 | 11  | 14  | M5 | 30    | 294  | 66  | 52     |
| M-TNE40K | 40 | 15 | 9   | 18   | 59 | 19  | 26  | M6 | 55    | 539  | 121 | 115    |
| M-TNE50K | 50 | 15 | 9   | 18   | 62 | 17  | 23  | M8 | 75    | 735  | 165 | 170    |
| M-TNE63K | 63 | 18 | 10  | 22   | 66 | 17  | 23  | M8 | 105   | 1029 | 231 | 273    |

