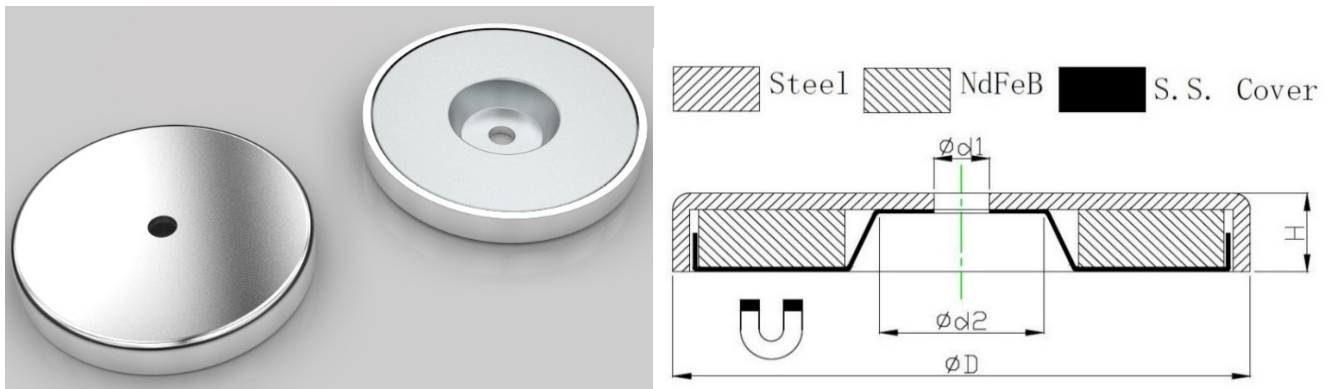


NdFeB flat pot magnet with stainless steel cover



Item No.	D	H	d1	d2	Force			Weight
	mm	mm	mm	mm	Kg	N	Lbs	g
RBNM30	30.70	4.70	3.20	6.00	15	155	35	21
RBNM40	36.00	6.90	4.75	9.65	29	289	65	38
RBNM50	51.71	7.60	4.90	15.24	40	400	90	65
RBNM60	60.32	8.90	6.86	16.26	50	489	110	117
RBNM70	68.20	9.50	6.98	17.48	63	622	140	155
RBNM80	81.30	10.60	7.20	22.35	88	867	195	210
RBNM90	124.46	12.70	12.70	33.00	136	1334	300	540

