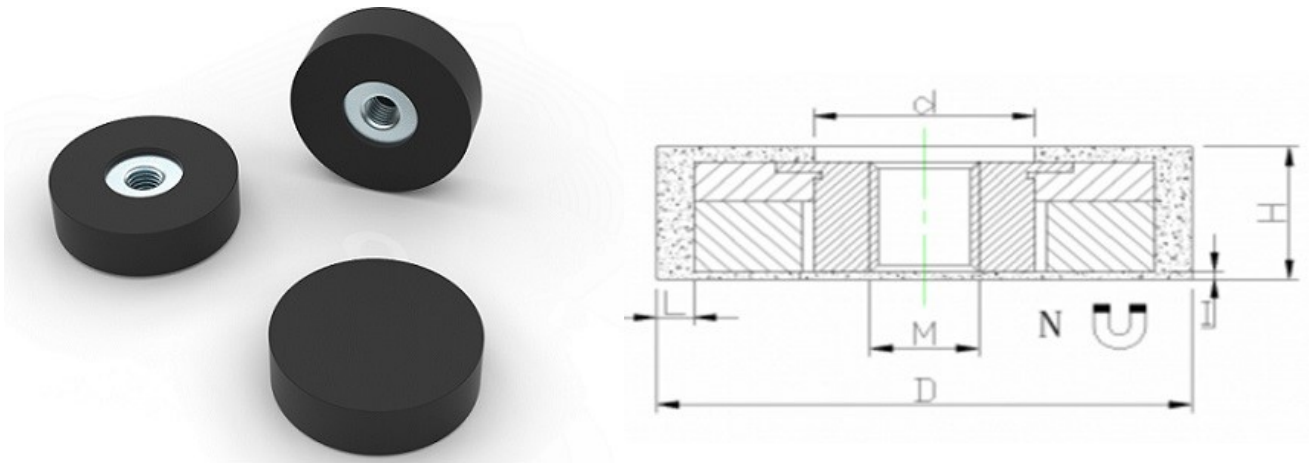


## NdFeB black rubber coated magnet with screw hole



### Product description

This rubber coated NdFeB pot magnet has a screw hole and can work together with a bolt. The rubber coating could protect the working surfaces from scratches.

The rubber coating is made from Santoprene, which provides better durability.

Item No.	D	H	d	M	Force			Weight
	mm	mm	mm		Kg	N	Lbs	g
RCND20F	20	6	8	M4	3	31	7	7.5
RCND29F	29	8.5	12	M5	11	108	22	28
RCND36F	36	8.5	14	M6	20	201	45	49
RCND45F	45	9.5	14	M6	30	301	67	80

