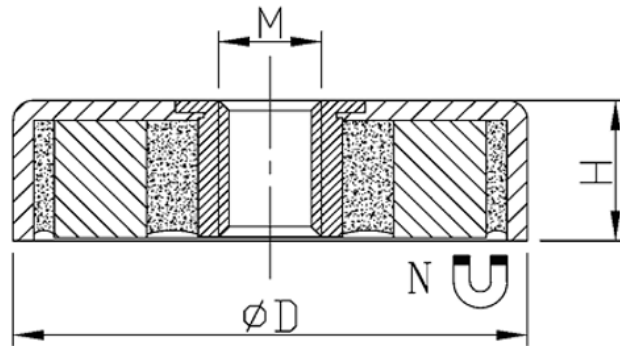


NdFeB pot magnet with internal thread hole



Product description

This NdFeB pot magnet has a threaded hole. It can be mounted with hooks, knobs or other objects with male threads to hold things used in workshops, garages or stores etc.

The Epoxy resin filling ensures no empty space between the steel cup and magnet.

Item No	D	H	M	Force			Weight
	mm	mm		Kg	N	Lbs	g
RBNB10F	10	4.5	M3	1.1	11	2.4	3
RBNB13F	13	4.5	M3	3	29	6	5
RBNB16F	16	4.5	M4	5	50	11	7
RBNB20F	20	6	M4	7	73	16	11
RBNB25F	25	7	M5	14	139	31	21
RBNB32F	32	7	M6	26	254	57	36
RBNB40F	40	8	M6	40	392	88	68
RBNB48F	48	11.5	M8	58	568	127	137
RBNB60F	60	15	M8	92	901	202	263

