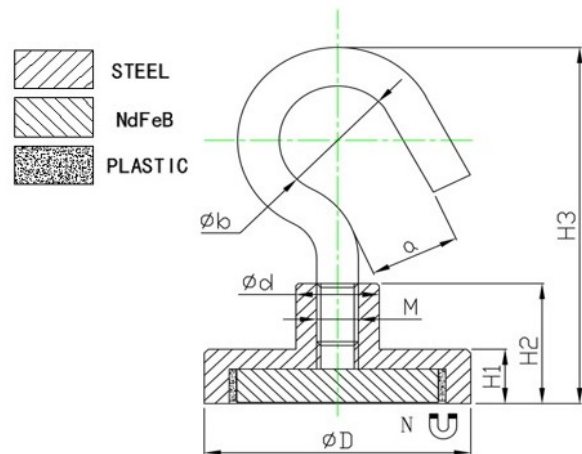


NdFeB flat pot magnet with hook



Product description

These NdFeB hook magnets have very strong holding force and can hold heavy tools used in many places such as workshops, garages or kitchens. Their diameters are from 10mm to 63mm with the maximum holding force up to 105 kg.

Item No.	D	d	H1	H2	H3	a	b	M	Force			Weight
	mm	mm	mm	mm	mm	mm	mm		Kg	N	Lbs	g
M-TNE10K	10	5	4.5	11.5	26	3.5	4	M3	3	29	6	5
M-TNE13K	13	5	4.5	11.5	26	3.5	4	M3	5	49	11	7
M-TNE16K	16	6	4.5	11.5	27	4.5	5.5	M4	8	78	17	11
M-TNE20K	20	8	6	13	29	4.5	5.5	M4	12	122	27	20
M-TNE25K	25	8	7	14	30	4.5	5.5	M4	18	176	39	30
M-TNE32K	32	10	7	15.5	45	11	14	M5	30	294	66	52
M-TNE40K	40	15	9	18	59	19	26	M6	55	539	121	115
M-TNE50K	50	15	9	18	62	17	23	M8	75	735	165	170
M-TNE63K	63	18	10	22	66	17	23	M8	105	1029	231	273

