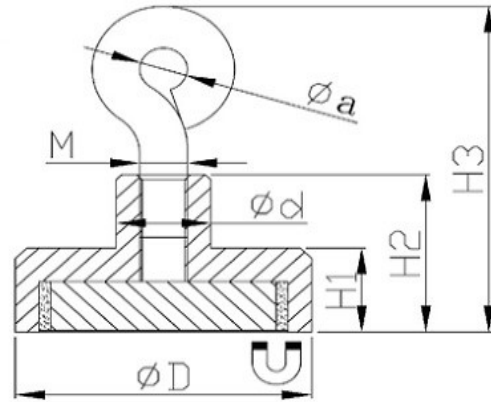


NdFeB flat pot magnet with eyelet



Product description

This is a NdFeB pot magnet with an eyelet, which can be removed whenever necessary.

Having it attached to steel surfaces, it could hold objects steadily. Since it contains neodymium magnet, its holding force is far bigger than that of the ferrite pot magnet.

Item No.	D	d	H1	H2	H3	a	M	Force			weight
	mm	mm	mm	mm	mm	mm		Kg	N	Lbs	g
M-TNE16O	16	6	4.5	11.5	27	4.5	M4	8	78	17	10
M-TNE25O	25	8	7	14	30	4.5	M4	18	176	39	29
M-TNE32O	32	10	7	15.5	45	11	M5	30	294	66	53
M-TNE40O	40	15	9	18	59	19	M6	55	539	121	110

