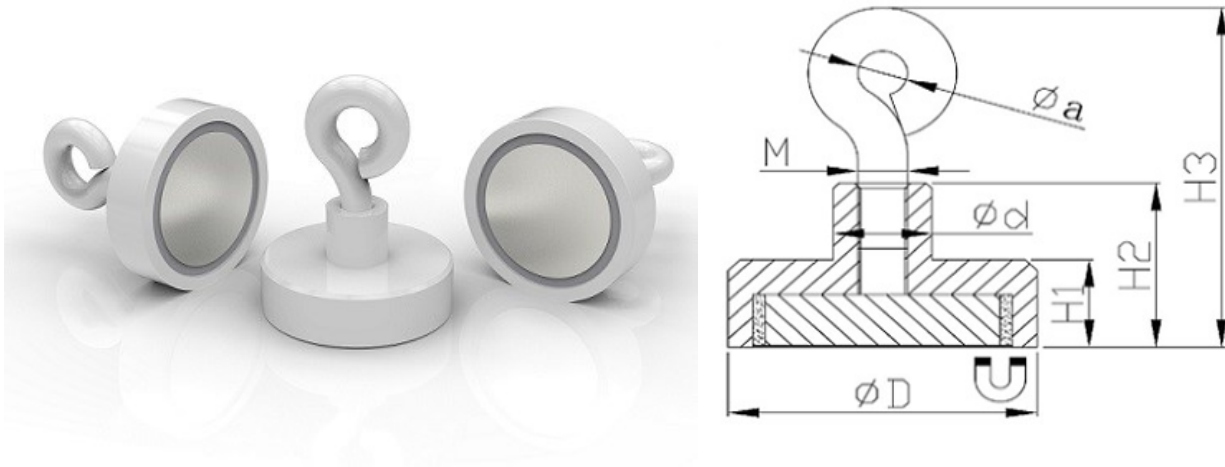


## NdFeB flat pot magnet with eyelet, white powder coated



### Product description

This white NdFeB pot magnet with an eyelet can be fixed on white walls, ceilings or other steel surfaces for window displays in stores. It could hold objects steadily without risk of falling off.

Item No.	D	d	H1	H2	H3	a	M	Force			weight
	mm	mm	mm	mm	mm	mm		Kg	N	Lbs	g
M-TNE16O-W	16.3	6.3	4.8	11.8	27.3	4.2	M4	5	49	11	11
M-TNE25O-W	25.3	8.3	7.3	14.3	30.3	4.2	M4	16	156	35	30
M-TNE32O-W	32.3	10.3	7.3	15.8	45.3	10.7	M5	28	274	61	56
M-TNE40O-W	40.3	15.3	9.3	18.3	59.3	18.7	M6	39	382	85	117

