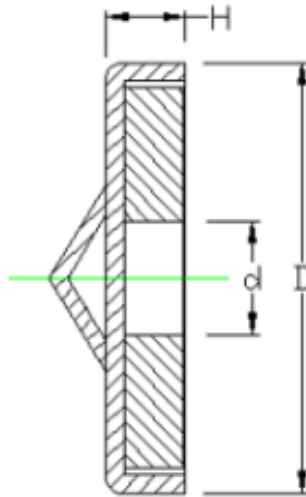


Ferrite flat pot magnet with loop



Product description

This ferrite pot magnet has a loop. It is an economic choice and the ferrite magnet does not rust easily.

Item No.	D	H	d	Force			Weight
	mm	mm	mm	Kg	N	Lbs	g
RBFB40V	36	6.65	9.525	7	67	15	34.7

