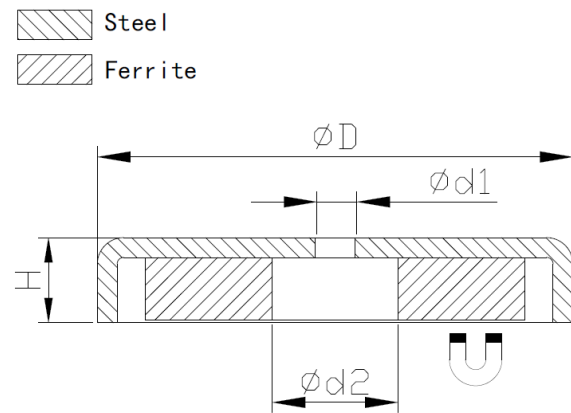
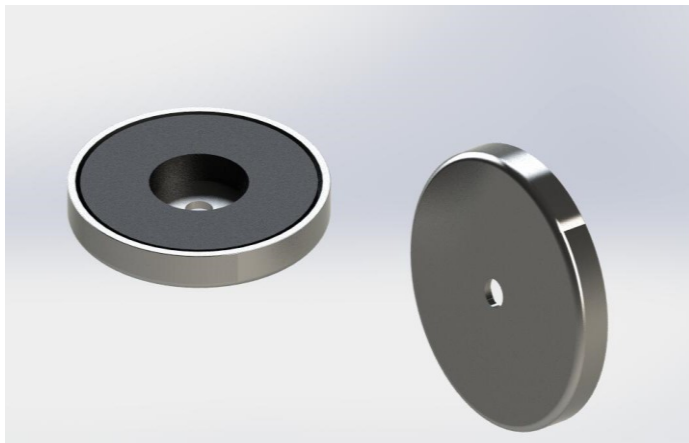


## Ferrite flat pot magnet with through hole



### Product description

This ferrite pot magnet has a through hole and can be fastened with screw onto other objects. It is economic and the ferrite magnet does not rust.

Item No.	D	H	d1	d2	Force			Weight
	mm	mm	mm	mm	Kg	N	Lbs	g
RBFB20	30.86	4.83	3.96	6.5	5	49	11	16
RBFB30	32.00	4.57	3.81	10.5	5	53	12	16.5
RBFB36	36.00	6.60	4.83	9.5	7	66	15	32
RBFB50	51.56	7.39	4.83	22	16	155	35	66
RBFB60	60.33	8.89	6.86	24	22	222	50	111.5
RBFB70	66.68	9.35	7.11	25.4	36	356	80	154
RBFB75	73.91	9.40	7.11	25.4	38	378	85	183
RBFB80	81.28	10.54	7.11	32	45	445	100	241.5
RBFB85	96.27	12.96	12.7	32	54	534	120	420
RBFB90	124.46	12.44	12.7	45	95	934	210	684

