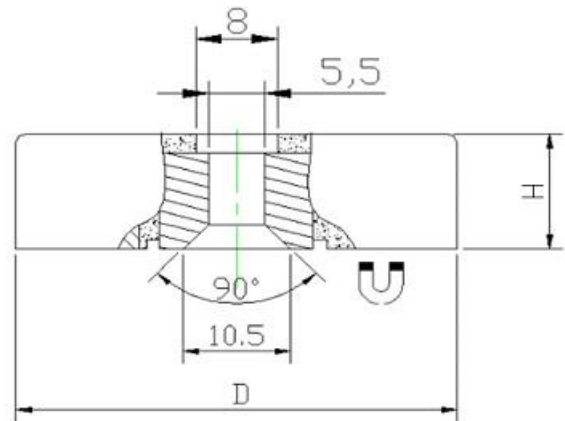


## Plastic cased magnet with bore and counterbore



### Product description

These ferrite plastic cased magnets have a bore hole on one side and counterbore on the other side. They can be used with a countersunk screw to hold screw drives, hammers or other tools in workshop or factory.

Item No	D	H	Force			Weight
	mm	mm	Kg	N	Lbs	g
PCFB43C-W	43	12	12	120	27	77

