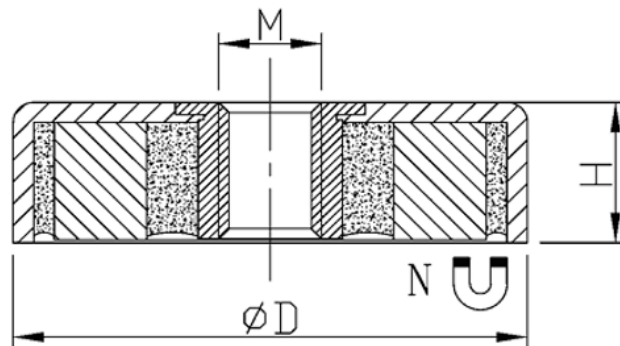


NdFeB pot magnet with internal thread hole



Product description

These NdFeB pot magnets have an internal thread hole and can be mounted with hooks, knobs or other objects with a fitting threaded stem to hold objects used in many places such as workshops, garages or stores etc.

The Epoxy resin filling ensures no empty space between the steep cup and magnet.

Item No	D	H	M	Force			Weight
	mm	mm		Kg	N	Lbs	g
RBNB10F	10	4.5	M3	1.1	11	2.4	3
RBNB13F	13	4.5	M3	3	29	6	5
RBNB16F	16	4.5	M4	5	50	11	7
RBNB20F	20	6	M4	7	73	16	11
RBNB25F	25	7	M5	14	139	31	21
RBNB32F	32	7	M6	26	254	57	36
RBNB40F	40	8	M6	40	392	88	68
RBNB48F	48	11.5	M8	58	568	127	137
RBNB60F	60	15	M8	92	901	202	263

