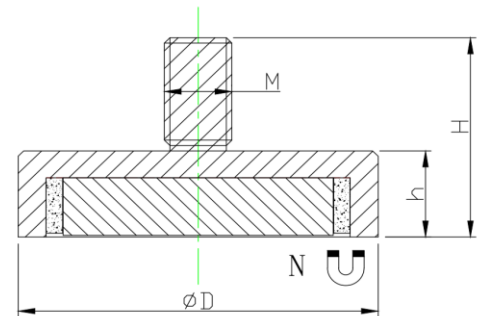
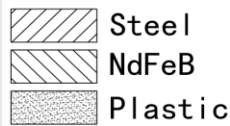
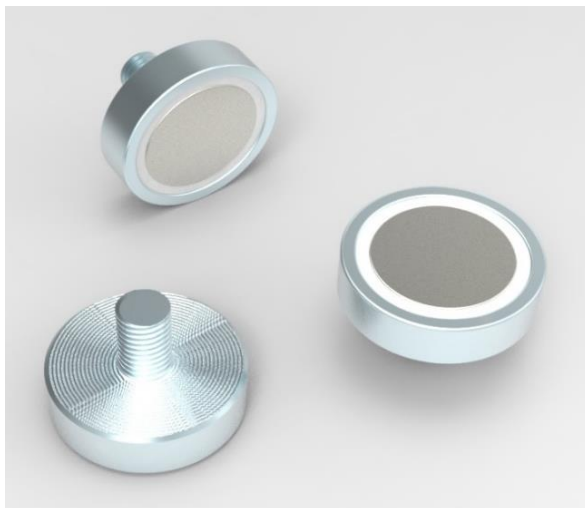


NdFeB flat pot magnet with threaded stem



Product description

These NdFeB pot magnets with threaded stem can work like a bolt together with a nut for fastening & holding.

Item No.	D	H	h	M	Force			Weight
	mm	mm	mm		Kg	N	Lbs	
M-TNE10M	10	12.5	4.5	M4	2.5	25	5	3
M-TNE13M	13	12.5	4.5	M5	6	60	13	5
M-TNE16M	16	12.5	4.5	M6	9	95	21	8
M-TNE20M	20	16	6	M6	14	140	31	15
M-TNE25M	25	17	7	M6	20	200	45	27
M-TNE32M	32	17	7	M6	35	350	78	42
M-TNE40M	40	20	8	M8	68	670	150	80
M-TNE48M	48	11.5	24	M8	85	833	187	135
M-TNE60M	60	15	30	M8	125	1225	275	260
M-TNE75M	75	15	34	M10	164	1607	361	550

