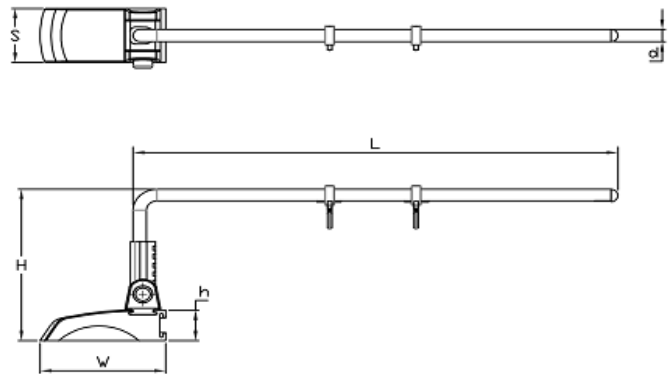
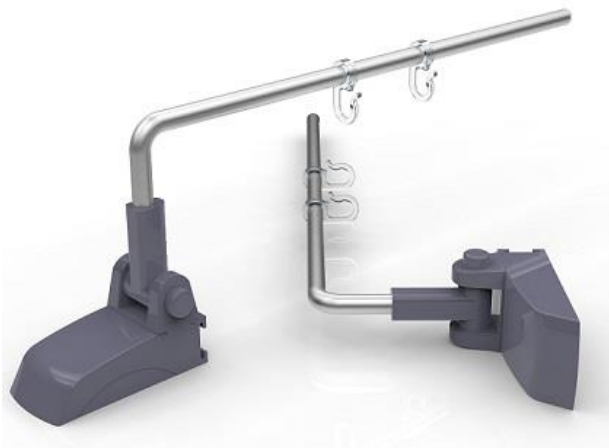


Magnetic sign holder with grey base and tube



Product description

This magnetic sign holder with fashionable grey base, grey aluminum tube and 2 hooks can be attached to metal surface easily. Put it where you want, attach posters, labels etc. and set the angle you prefer. No trouble to call for workers.

A brilliant choice for retail, supermarket, cafes, bakeries, and restaurants.

Item No.	Magnetic base(mm)			Aluminum Pole(mm)		Total Height(mm)	Weight
	W(mm)	S(mm)	h(mm)	d(mm)	L(mm)	H	g
GIPOS G3	79	38	23	9	300	140	177

