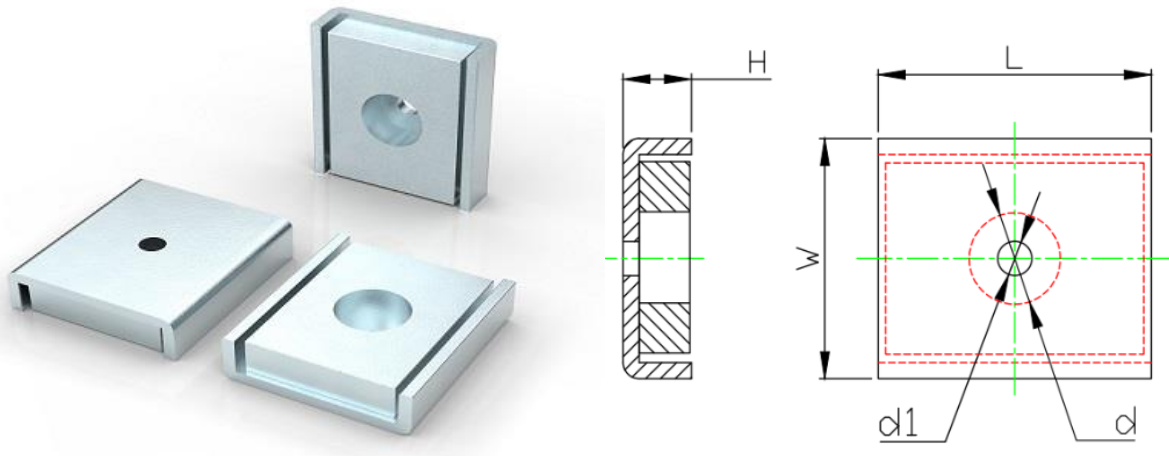


NdFeB channel magnet with mounting holes 1"



Product description

These NdFeB channel magnets have a through hole in the center and they can be fastened at places where the area is limited but high holding force is needed. NdFeB is strong rare earth magnet and the special construction of channel enhances its performance to get really high force. That's why this 1" channel magnet can give a holding force of 13kg.

Item No.	L	W	H	d	d1	Force		
	mm	mm	mm	mm	mm	Kg	N	Lbs
CHNL1B	25.4	22.35	6.35	8.5	3.2	15	147	35

