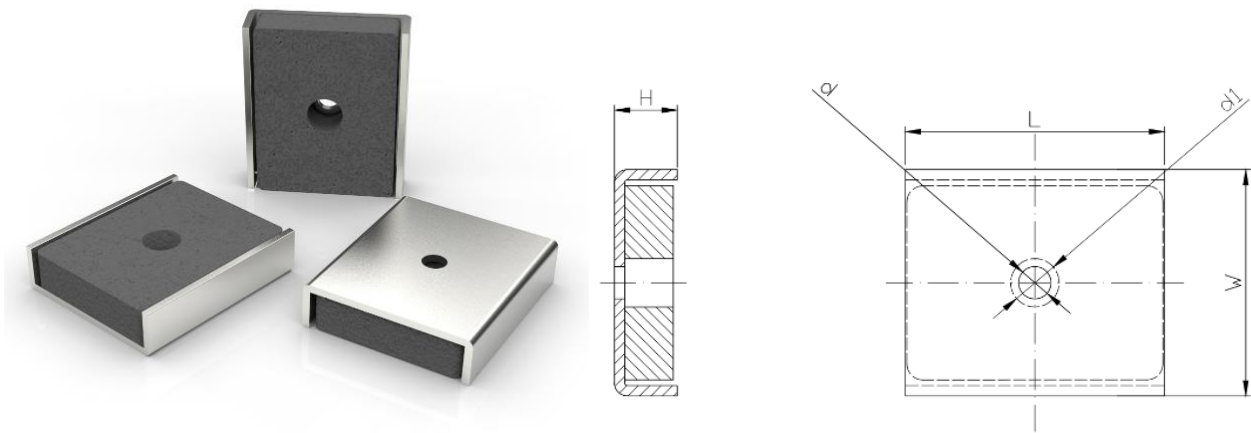


Ferrite channel magnet with mounting holes 1"



Product description

These Ferrite channel magnets have a through hole in the center and they can be fastened on shelving to hold banners, signs and other display products.

Item No.	L	W	H	Force			Weight
	mm	mm	mm	Kg	N	Lbs	g
CHFL1B	25.4	22.23	6.35	4	39	9	16.7

