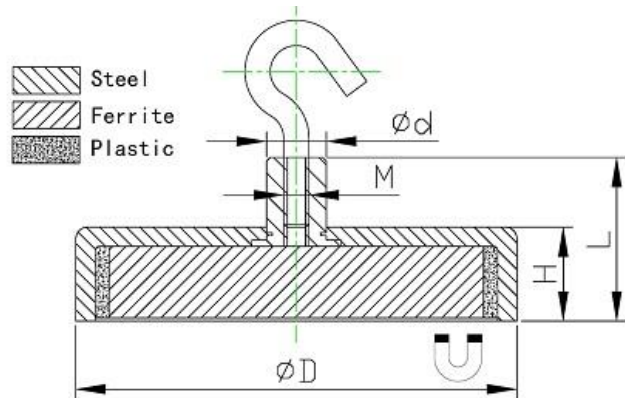


Ferrite flat pot magnet with hook, white powder coated



Product description

These Ferrite hook magnets have white appearance which can be fixed on ceilings or metal surface. They can hold light objects used in stores, supermarkets or kitchens.

Item No.	D	H	L	d	M	Force			weight	Fixing
	mm	mm	mm	mm		Kg	N	Lbs	g	
TFE16K-W	16	4.5	11.5	6	M3	1	10	2	7	Hook
TFE20K-W	20	6	13	8	M4	3	30	6.7	14	Hook
TFE25K-W	25	7	15	8	M4	4.0	40	9	21	Hook
TFE32K-W	32	7	15	8	M4	8	80	18.0	33	Hook
TFE36K-W	36	7.7	16	8	M4	10.0	100	22	44	Hook
TFE40K-W	40	8	16.5	8	M4	12	125	28.0	56	Hook
TFE47K-W	47	9	17	8	M4	18.0	180	40	85	Hook
TFE50K-W	50	10	18.5	8	M4	22	220	49.0	107	Hook
TFE57K-W	57	10.5	18.5	8	M4	28.0	280	63	149	Hook
TFE63K-W	63	14	30	8	M4	35	350	78.0	214	Hook
TFE80K-W	80	18	28.5	12	M6	61.0	600	135	485	Hook eye

