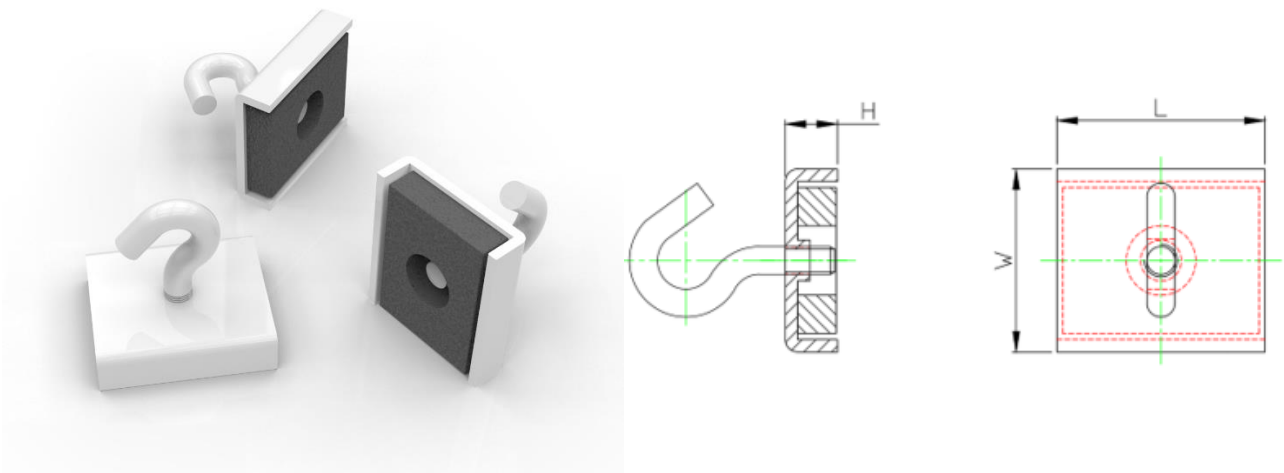


Ferrite channel magnet with hook, white powder coated 1"



Product description

These Ferrite hook magnets have white appearance which can be fixed on ceilings or metal surface. They can hold light objects used in stores, supermarkets.

Item No.	L	W	H	Force		
	mm	mm	mm	Kg	N	Lbs
CHFL1K-W	25.4	22.7	6.7	4	39	9

