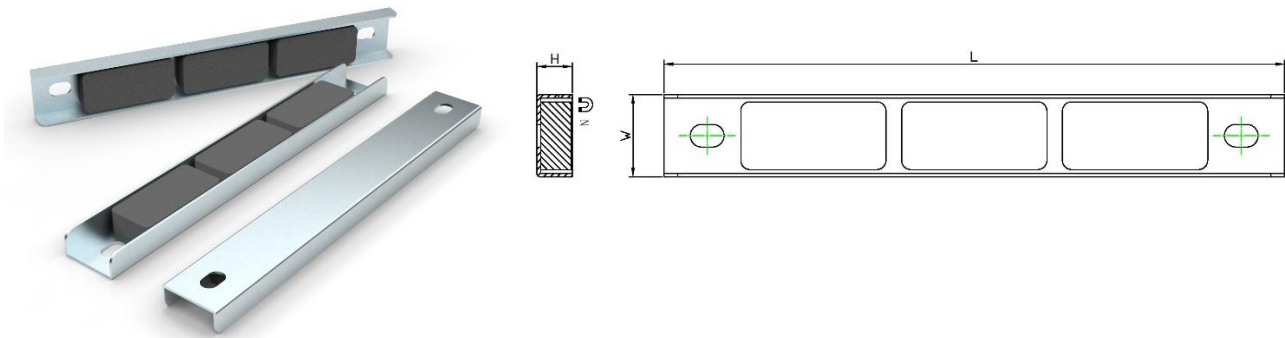


## Ferrite channel magnet with mounting holes 8"



### Product description

These Ferrite channel magnets have two mounting holes at both ends and they can be fastened easily on surfaces with screw bolt.

Item No.	L	W	H	Force			Weight
	mm	mm	mm	Kg	N	Lbs	g
CHFL8B	203.2	26.64	11.5	27	264	59	234

