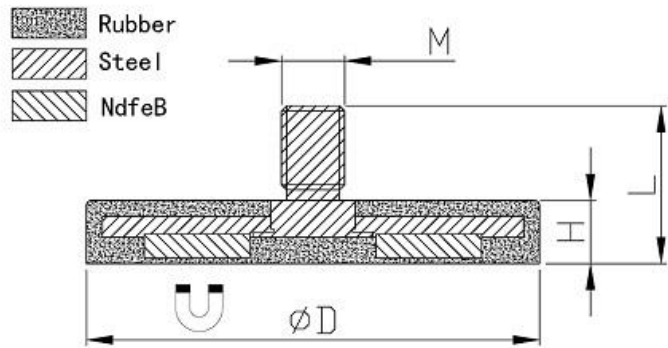


NdFeB black rubber coated magnet with threaded stem



Product description

These rubberized NdFeB pot magnets has a threaded stem and can be fastened together with a nut. The rubber coat reduces friction so that the surface can be well protected from scratches.

The rubber material we use is Santoprene. The features of Santoprene are: even thickness on the holding face to have better holding force, smooth surface that gives better appearance and, more importantly, it is more durable.

Item No.	D	H	L	M	Force			Weight
	mm	mm	mm		Kg	N	Lbs	g
RCND22M	22	6	12.5	M4	5	51	11	10
RCND31M	31	6	18	M5	7	73	16	21
RCND43M	43	6	21	M6	9	89	20	36
RCND66M	66	8	32	M6	14	142	32	107
RCND88M	88	8.5	32	M6	47	467	105	210

