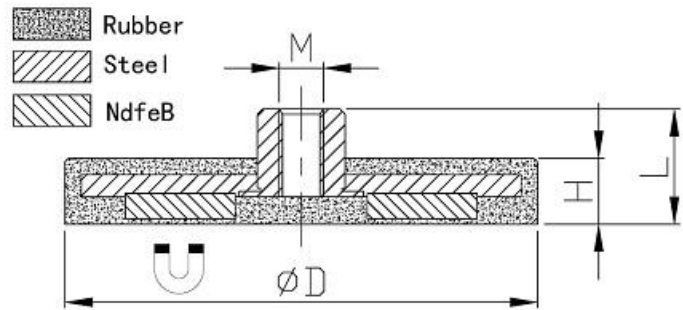


NdFeB black rubber coated magnet with female thread



Product description

These rubberized NdFeB pot magnets have a female thread hole. The rubber coat reduces friction so that the surface can be well protected from scratches.

The rubber material we use is Santoprene. The features of Santoprene are: even thickness on the holding face to have better holding force, smooth surface that gives better appearance and, more importantly, it is more durable.

Item No.	D	H	L	M	Force			Weight
	mm	mm	mm		Kg	N	Lbs	g
RCND22F	22	6	6	M4	5	51	11	10
RCND31F	31	6	6	M5	7	73	16	21
RCND43F	43	6	6	M6	9	89	20	36
RCND66F	66	8	8	M6	15	142	32	107
RCND88F	88	8.5	8.5	M6	47	467	105	210

