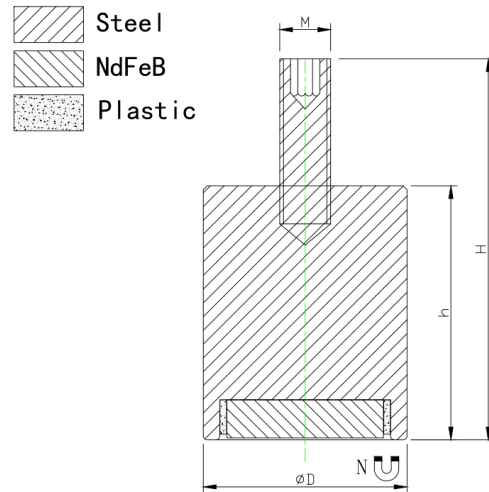


NdFeB deep pot magnet with threaded stem



Product description

These NdFeB deep pot magnets have a threaded stem. The shape is cylindrical, in which Neodymium magnets are placed centrally in steel part. They are usually used for holding and lifting.

Item No.	D	H	h	M	Force			Weight
	mm	mm	mm		Kg	N	Lbs	g
M-RDNE16M	16	30	20	M4	9	90	20	30
M-RDNE20M	20	35	25	M6	13	135	30	58
M-RDNE25M	25	45	35	M6	19	190	42	131
M-RDNE32M	32	52	40	M8	34	340	76	243
M-RDNE40M	40	65	50	M8	71	700	157	490
M-RDNE50M	50	75	60	M10	102	1000	225	915
M-RDNE63M	63	85	65	M12	173	1700	382	1579

*H can be shortened or machined without being damaged.

