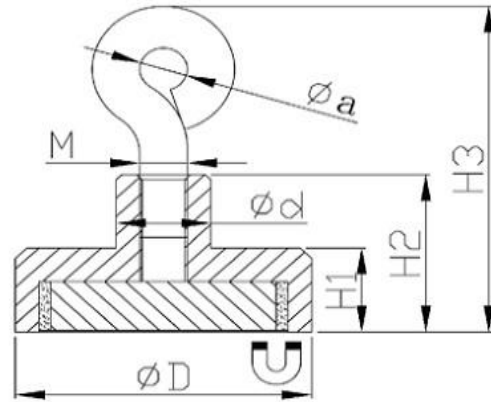


NdFeB flat pot magnet with eyelet



Product description

These NdFeB pot magnets have an eyelet which can be removed whenever. They are secure to hold objects. Consists of Neodymium magnets and steel parts, holding force is far bigger than Ferrite hook magnets.

Item No.	D	d	H1	H2	H3	a	M	Force			weight
	mm	mm	mm	mm	mm	mm		Kg	N	Lbs	g
M-TNE16O	16	6	4.5	11.5	27	4.5	M4	8	78	17	10
M-TNE25O	25	8	7	14	30	4.5	M4	18	176	39	29
M-TNE32O	32	10	7	15.5	45	11	M5	30	294	66	53
M-TNE40O	40	15	9	18	59	19	M6	55	539	121	110

