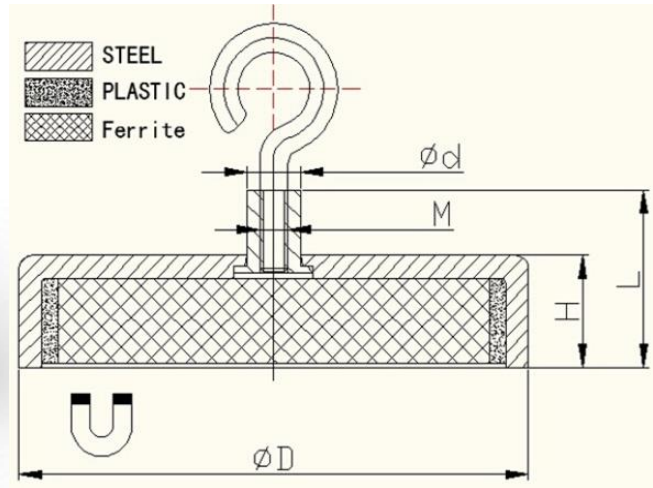


Ferrite flat pot magnet with hook



Product description

These Ferrite hook magnets are widely used to display advertising boards, posters, banners from ceiling. Holding force is lower than NdFeB hook magnets while the price is much cheaper.

Item No.	D	H	L	d	M	Force			weight	Fixing
	mm	mm	mm	mm		Kg	N	Lbs	g	
TFE16K	16	4.5	11.5	6	M3	1.8	18	4	7	Hook
TFE20K	20	6	13	8	M4	3	30	6.7	14	Hook
TFE25K	25	7	15	8	M4	4.0	40	9	21	Hook
TFE32K	32	7	15	8	M4	8	80	18.0	33	Hook
TFE36K	36	7.7	16	8	M4	10.0	100	22	44	Hook
TFE40K	40	8	16.5	8	M4	12	125	28.0	56	Hook
TFE47K	47	9	17	8	M4	18.0	180	40	85	Hook
TFE50K	50	10	18.5	8	M4	22	220	49.0	107	Hook
TFE57K	57	10.5	18.5	8	M4	28.0	280	63	149	Hook
TFE63K	63	14	30	8	M4	35	350	78.0	214	Hook
TFE80K	80	18	28.5	12	M6	61.0	600	135	485	Hook eye

