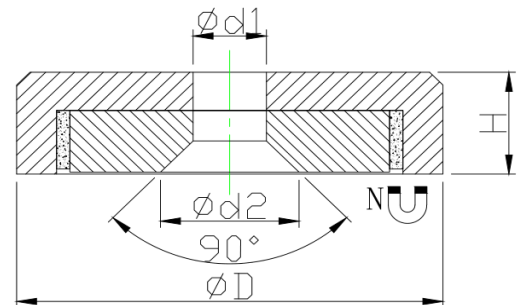
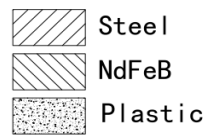


NdFeB flat pot magnet with countersunk



Product description

These NdFeB pot magnets with countersunk hole can be fastened with a countersunk screw. They are widely used in so many places such as workshops, garages to hold tools, metal working parts etc.

Item No.	D	H	d1	d2	Force			Weight
	mm	mm	mm	mm	Kg	N	Lbs	g
M-RBNC13	13	4.5	3.5	6.6	4	40	9	4
M-RBNC16	16	4.5	3.5	6.6	7	75	17	6
M-RBNC20	20	6	4.5	9.3	10	105	23	13
M-RBNC25	25	7	4.5	9	16	160	36	24
M-RBNC32	32	7	5.5	11	31	310	69	39
M-RBNC40	40	8	5.5	10.3	51	500	112	73
M-RBNC60	60	8.5	16	15	112	1097	246	250
M-RBNC75	75	10.5	19	18	162	1587	357	***

