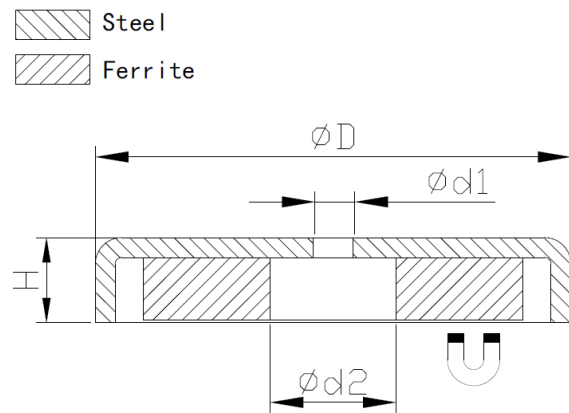
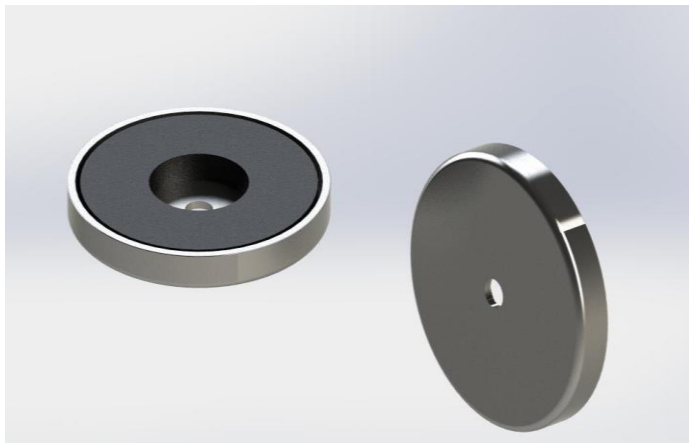


Ferrite flat pot magnet with through hole



Product description

These ferrite pot magnets have a through hole and can be fastened with screws on other objects. They are cheap in price and the ferrite magnet does not rust easily.

Item No.	D	d1	d2	Force			Weight
	mm	mm	mm	Kg	N	Lbs	g
RBFB20	30.86	4.83	3.96	5	49	11	16
RBFB30	32.00	4.57	3.81	5	53	12	16.5
RBFB36	36.00	6.6	4.83	7	66	15	32
RBFB50	51.56	7.39	4.83	16	155	35	66
RBFB60	60.33	8.79	6.86	22	222	50	111.5
RBFB70	66.68	9.35	7.11	36	356	80	154
RBFB75	73.91	9.4	7.11	38	378	85	183
RBFB80	81.28	10.54	7.11	45	445	100	241.5
RBFB85	96.27	12.96	12.7	54	534	120	412
RBFB90	124.46	12.44	12.7	95	934	210	684

