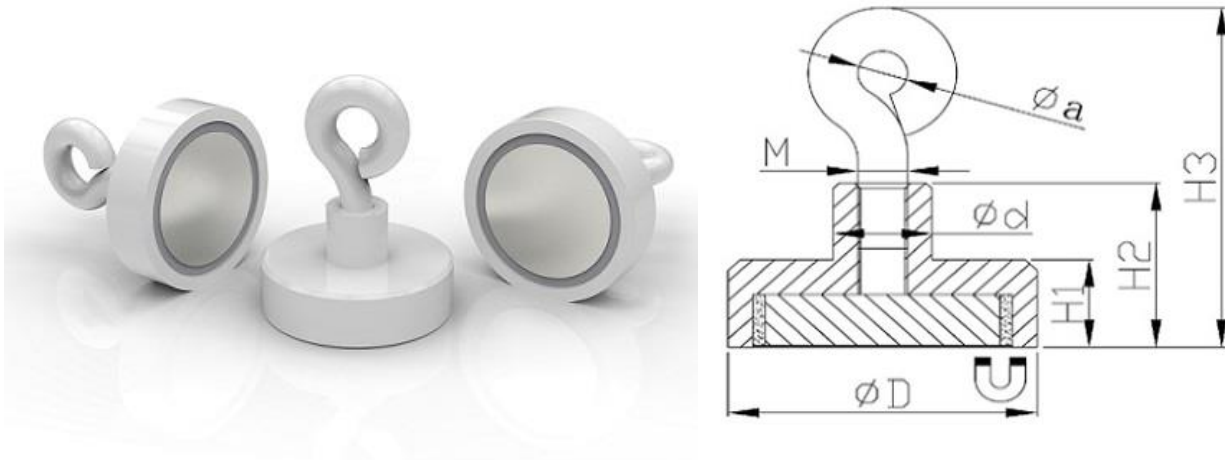


NdFeB flat pot magnet with eyelet, white powder coated



Product description

These NdFeB hook magnets have white appearance which can be fixed on white walls, ceilings or other metal surface and used in window display in stores. They are secure to hold objects and are not easy to fall off.

Item No.	D	d	H1	H2	H3	a	M	Force			weight
	mm	mm	mm	mm	mm	mm		Kg	N	Lbs	g
M-TNE16O-W	16.3	6.3	4.8	11.8	27.3	4.2	M4	5	49	11	11
M-TNE25O-W	25.3	8.3	7.3	14.3	30.3	4.2	M4	16	156	35	30
M-TNE32O-W	32.3	10.3	7.3	15.8	45.3	10.7	M5	28	274	61	56
M-TNE40O-W	40.3	15.3	9.3	18.3	59.3	18.7	M6	39	382	85	117

