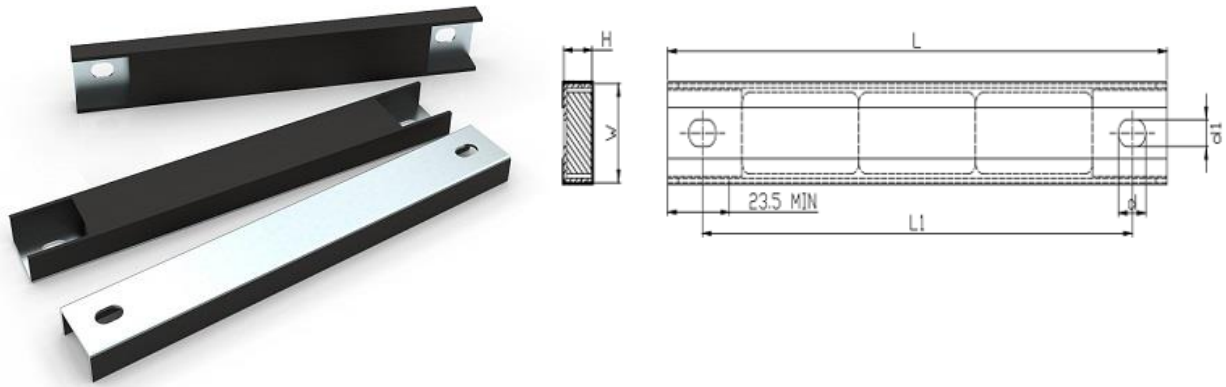


Ferrite channel magnet with cloth tape protection 8"



Product description

These Ferrite channel magnets have two mounting holes at both ends with 8" length. They can be fastened with screw bolt on walls to hold metal working parts, like knives, screwdrivers etc. With the cloth tape, they can protect the surface and make magnets more secure.

Item No.	L	W	H	Force		
	mm	mm	mm	Kg	N	Lbs
CHFL8B-CLOTH	203.2	27.8	11.8	6	59	13

