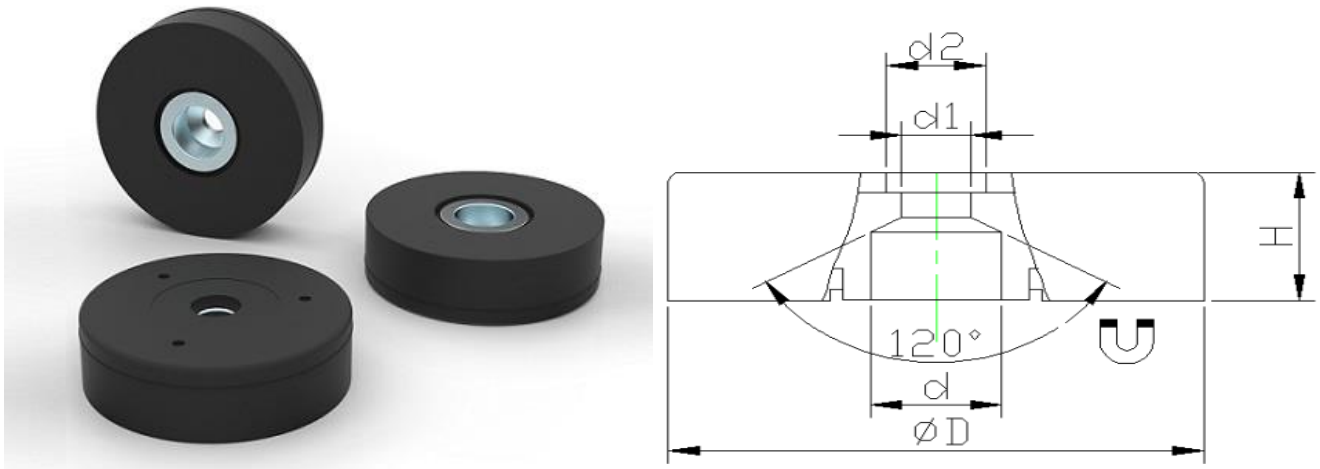


NdFeB black rubber coated magnet with bore and counterbore



Product description

These rubberized NdFeB pot magnets have a bore hole on one side and a counterbore hole on the other. The rubber coat reduces friction so that the surface can be well protected from scratches.

The rubber material we use is Santoprene. The features of Santoprene are: even thickness on the holding face to have better holding force, smooth surface that gives better appearance and, more importantly, it is more durable.

Item No.	D	H	d	d1	d2	Force			Magnet	Weight
	mm	mm	mm	mm	mm	Kg	N	Lbs		g
RCFB43C-B	43	12.5	10.5	5.5	8	8	80	18	Ferrite	76
RCNB43C-B	43	12.5	10.5	5.5	8	26	260	58	NdFeB	86

