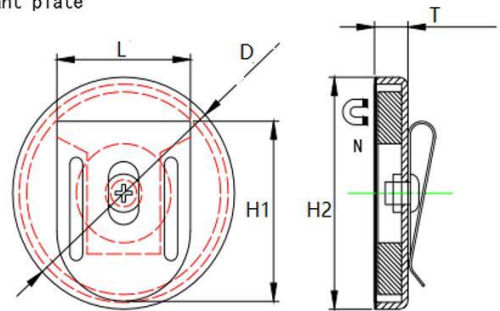


Ferrite flat pot magnet with buckle



- Fingerprint resistant plate
- Steel
- Ferrite



Product description

These Ferrite pot magnets have a buckle which can be attached on the belts to collect nails, screws and other small tools.

With its help, people can operate without asking for help from others.

Item No.	D	H1	H2	L	T	Force			weight
	mm	mm	mm	mm	mm	Kg	N	Lbs	g
RBFB50WC-B	51.5	40	51.5	31	7.7	2	19	4	86
RBFB50WC-W	51.5	40	51.5	31	7.7	2	19	4	86
RBFB50WC-R	51.5	40	51.5	31	7.7	2	19	4	86
RBFB50WC-Y	51.5	40	51.5	31	7.7	2	19	4	86
RBFB50WC-G	51.5	40	51.5	31	7.7	2	19	4	86
RBFB50WC-BL	51.5	40	51.5	31	7.7	2	19	4	86

