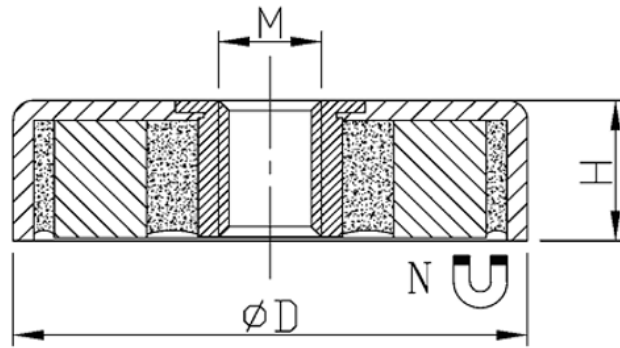


NdFeB pot magnet with internal threaded hole



Item No	D	H	M	Force			Weight
	mm	mm		Kg	N	Lbs	g
RBNB10F	10	4.5	M3	1.1	11	2.4	3
RBNB13F	13	4.5	M3	3	29	6	5
RBNB16F	16	4.5	M4	5	50	11	7
RBNB20F	20	6	M4	7	73	16	11
RBNB25F	25	7	M5	14	139	31	21
RBNB32F	32	7	M6	26	254	57	36
RBNB40F	40	8	M6	40	392	88	68
RBNB48F	48	11.5	M8	58	568	127	137
RBNB60F	60	15	M8	92	901	202	263

